

Down-Thrust Clamps

SPECIFICATION

Types

- Type **S**: With clamping screw
- Type **K**: With adjustable hand lever with increased clamping force

Base

Steel

- Case-hardened
- Blackened

T-Nut

- High quality steel, blackened
- Property class 10

Grub screw DIN 913

Steel, blackened

Adjustable hand lever

with increased clamping force (Type K)

- Zinc die casting
- Powder coated
- Black RAL 9005, textured finish

- Threaded insert and bushing
- Nitrided and blackened steel



INFORMATION

Down-thrust clamps GN 9192 are compact clamping elements for quick and secure clamping in tool and fixture construction. Rotating and tightening the clamping screw or the adjustable hand lever moves the clamping arm downwards to clamp the workpiece.

The clamping arm can be swiveled 360° by hand so that workpieces can be inserted and removed from above quickly and easily. The thread on the clamping arm d_3 can be used for positioning elements and clamping pads.

Positioning ring GN 9192.2 (see page), available as an accessory, limits the swiveling range of down-thrust clamps to 110° left or right via a positioning pin. The position of the ring can be adjusted to ensure that the clamping position is reached reliably when the clamp swivels over the positioning pin.

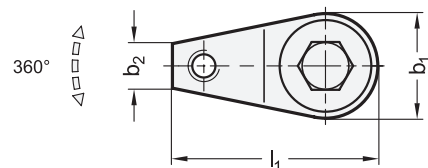
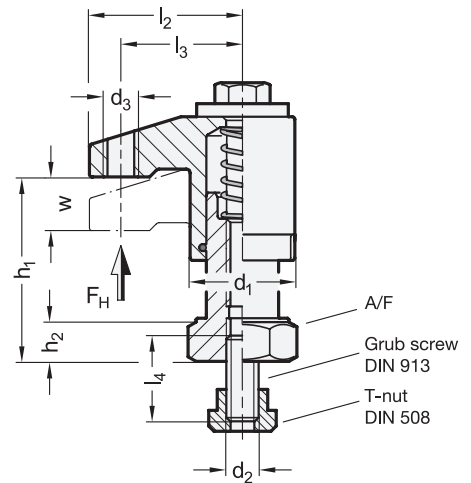
Down-thrust clamps can be screwed in directly, e.g. in a mounting plate, or fastened to machine tables with T-slots. Height adjusting cylinders GN 9192.3 (see page) can be used to increase the clamping height. The adjustable hand lever (type K) is supplied loose.

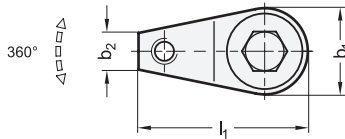
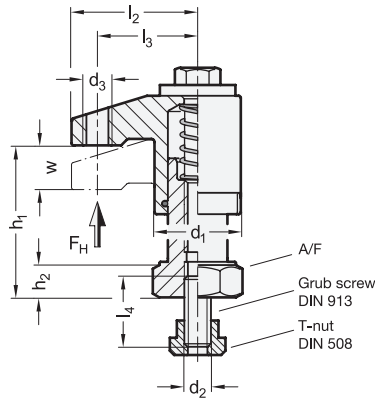
ACCESSORY

- Positioning Ring GN 9192.2 (see page)
- Height Adjusting Cylinders GN 9192.3 (see page)

TECHNICAL INFORMATION

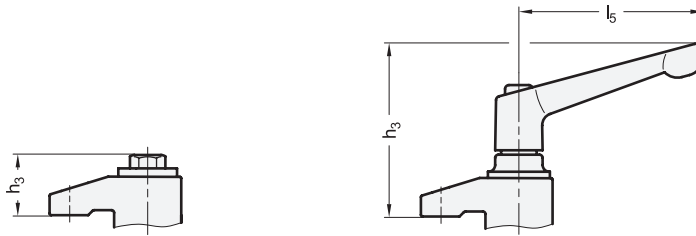
- Strength values of screws / nuts (see page A20)



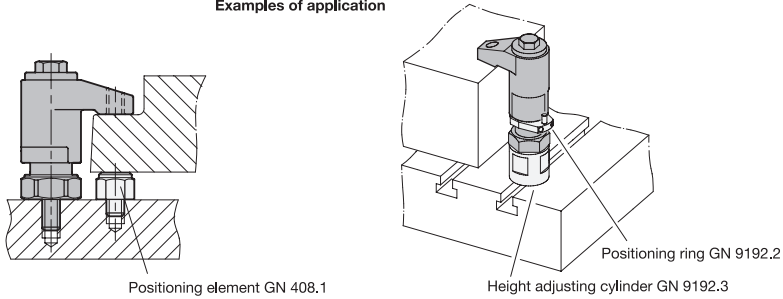


Type S

Type K



Examples of application



GN 9192-S

Description	d1	w Stroke	FH in kN	b1	b2	d2	d3	h1 Min.	h1 Max.	h2	h3	l1	l2	l3	l4	A/F	⚖
GN 9192-25-5-S	25	5	5	26	10	M 8	M 8	30	35	10	20.9	49.5	35	28	20	22	227
GN 9192-40-20-S	40	20	10	40	17	M 12	M 12	50	70	15	36	75	55	43	35	36	876
GN 9192-40-30-S	40	30	10	40	17	M 12	M 12	68	98	15	36	75	55	43	35	36	964
GN 9192-40-40-S	40	40	10	40	17	M 12	M 12	95	135	22	36	75	55	43	35	36	1300

GN 9192-K

Description	d1	w Stroke	FH in kN	b1	b2	d2	d3	h1 Min.	h1 Max.	h2	h3	l1	l2	l3	l4	l5	A/F	⚖
GN 9192-25-5-K	25	5	5	26	10	M 8	M 8	30	35	10	72.5	49.5	35	28	20	78	22	388
GN 9192-40-20-K	40	20	10	40	17	M 12	M 12	50	70	15	105	75	55	43	35	108	36	1258
GN 9192-40-30-K	40	30	10	40	17	M 12	M 12	68	98	15	105	75	55	43	35	108	36	1384
GN 9192-40-40-K	40	40	10	40	17	M 12	M 12	95	135	22	105	75	55	43	35	108	36	1740

